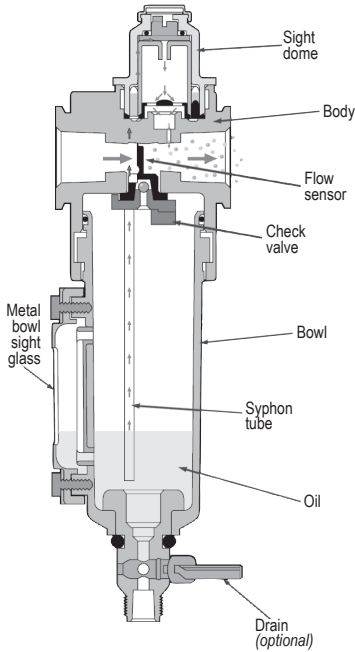




The Right Connection®

# Simple Lubricator Troubleshooting

## Oil-Fog Lubricator



Malfunction	Possible cause	Remedy
No Drip Rate	Oil adjustment knob fully clockwise Low oil level Airflow through lubricator too low Blocked oil filter screen Air leaks	Readjust knob. Check oil level. Use smaller size lubricator. Remove bowl and sight feed adjustment dome and clear syphon tube. Remove sight feed adjustment dome and clean or replace screen located in dome assembly. Check bowl, filler plug and sight dome seals. Tighten if necessary.
Oil Foaming	Over aeration	Check bowl seals for slight leaks.
Oil Emulsified	Water in lubricator	Fit filter immediately upstream.
Drip Rate changes after setting	Fade	Readjust drip rate.

### What is the correct drip rate setting?

The drip rate will depend on the application, the amount of lubrication required, the flow through the lubricator and the lubricator type. In micro-fog lubricators only 10% of the droplets in the sight dome are carried downstream. The drip rate in micro-fog lubricators therefore tends to be much higher. The following table can be used to estimate drip rate for required flow. This is very much a rule of thumb. In practice it is necessary to fine tune the oil drip rate in each application.

Typical Drip Rate per Minute Micro-Fog	Typical Drip Rate per Oil-Fog	Approximate Flow SCFM (dm <sup>3</sup> /s)
20	2	10 (5)
40	4	20 (10)
60	6	30 (15)
80	8	40 (20)
100	10	50 (25)
120	12	60 (30)

### Can the drip rate be shut off?

In lubricators with needle valve type sight dome, yes. Some sight domes use a felt pad which is soaked in oil at the point where the drops are formed. With this type of sight dome the oil droplets cease once the felt pad dries out. With the new style dome (L72/73/74 and L07) complete shut off is not possible. Minimum adjustment for the drip rate is around 1 drop per minute.

connect with us on



## Dixon Valve & Coupling

800 High Street • Chestertown, MD 21620

ph: 877.963.4966 • fx: 800.283.4966

dixonvalve.com

scan to visit our website

